



## SCREENED SEPARABLE CONNECTION SYSTEM

### RSTI-X9, SIMPLE INSTALLATION FOR LARGE CROSS SECTIONS

#### 1250 A UP TO 42 kV

#### KEY FEATURES

- Insulation made of highly modified silicone rubber
- Easily accessible rear plug with capacitive test point
- Compact design supports use of double “T” connections inside standard terminal boxes
- Wide application range covers cable cross sections from 400 to 800 mm<sup>2</sup>
- Complete kit including lugs facilitates installation and storage

TE Connectivity’s (TE) Raychem RSTI screened separable connectors are designed to connect single- and three-core polymeric cables to medium-voltage gas insulated switchgear and other equipment using bushings Type CEN 50180/EN 50181 specified for 630/1250A up to 42 kV.

Made of a highly modified silicone rubber and screened by a thin walled outer conductive screen connected to earth, Raychem RSTI connectors are equally suited for indoor and outdoor application.

Supporting a wide application range, the design incorporates one body and three stress cone adapters to cover all cross-sections from 400 to 800 mm<sup>2</sup> and all voltage classes from 12 to 42 kV. The conductor connection will be provided with mechanical lugs. The overall - and cut back dimensions are designed to take up minimum space in the terminal box.

Raychem RSTI connectors are equipped with a capacitive test point for determining whether the circuit is energised. A conductive cap protects this test point.

The RSTI-x9 screened cable connector exceeds CENELEC HD 629.1 S2 requirements, which includes BS; VDE and other international specifications. All kits include high performance mechanical lugs.

**Customers can count on consistent, high quality products, driven by TE’s proven innovation and backed by our extraordinary customer support.**

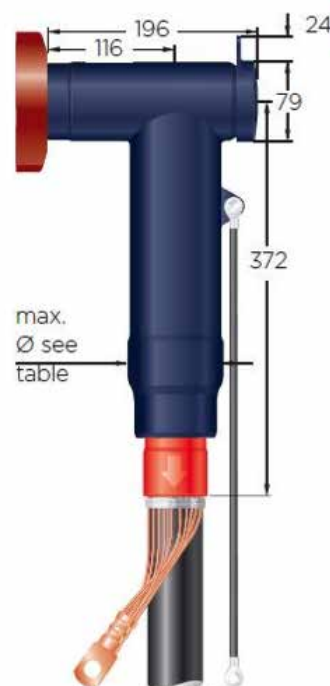
## Screened Separable Connection System



### TECHNICAL DATA

Cable insulation diameter range	28.9 - 59.0 mm
Connector cross-section range	400 - 800 mm <sup>2</sup>
Maximum system voltage	42 kV
Continuous current rating	1250A*
Basic impulse level	200 kV
Partial discharge at 2 U <sub>0</sub>	< 2 pC
AC voltage withstand, 5 min	93.5 kV
DC voltage withstand, 15 min	125 kV
Thermal short circuit, 1 s	74.5 kA
Thermal short circuit, 3 s	43 kA
Dynamic short circuit	125 kA

\* 1250 A is relevant for upgraded bushing C2 and cables with copper conductors  
The adapters meet the international CENELEC HD 629.1 S2 specification



### PRODUCT SELECTION INFORMATION

Description	Diameter Core Insulation (mm)		Cross Section (mm <sup>2</sup> )
	min	max	
<b>12 kV with mechanical lugs</b>			
RSTI-3951 (Al or Cu)	28,9	36,4	400
RSTI-3952 (Al or Cu)	28,9	36,4	500
RSTI-3953 (Al or Cu)	34,0	45,4	630
RSTI-3954 (Al or Cu)	34,0	45,4	800
<b>24 kV with mechanical lugs</b>			
RSTI-5951 (Al or Cu)	34,0	45,4	400
RSTI-5952 (Al or Cu)	34,0	45,4	500
RSTI-5953 (Al or Cu)	39,1	59,0	630
RSTI-5954 (Al or Cu)	39,1	59,0	800
<b>36 and 42 kV with mechanical lugs</b>			
RSTI-6951 (Al or Cu)	34,0	45,4	400
RSTI-6952 (Al or Cu)	39,1	59,0	500 - 630
RSTI-6953 (Al or Cu)	39,1	59,0	800

### TEST REPORT

PPR-2704

[te.com/energy](http://te.com/energy)

©2016 TE Connectivity Ltd. family of companies. All Rights Reserved. EPP-1715-3/16

Raychem, TE Connectivity and TE Connectivity (logo) are trademarks. Other logos, product and/or company names might be trademarks of their respective owners. While TE has made every reasonable effort to ensure the accuracy of the information in this brochure, TE does not guarantee that it is error-free, nor does TE make any other representation, warranty or guarantee that the information is accurate, correct, reliable or current. TE expressly disclaims all implied warranties regarding the information contained herein, including, but not limited to, any implied warranties of merchantability or fitness for a particular purpose. The dimensions in this catalog are for reference purposes only and are subject to change without notice. Specifications are subject to change without notice. Consult TE for the latest dimensions and design specifications.

### FOR MORE INFORMATION: TE Technical Support Centers

USA: + 1 800 327 6996  
 France: + 33 380 583 200  
 UK: + 44 0870 870 7500  
 Germany: + 49 896 089 903  
 Spain: + 34 916 630 400  
 Italy: + 39 333 250 0915  
 Benelux: + 32 16 351 731  
 Canada: + 1 (905) 475-6222  
 Mexico: + 52 (0) 55-1106-0800  
 Latin/S. America: + 54 (0) 11-4733-2200  
 China: + 86 (0) 400-820-6015